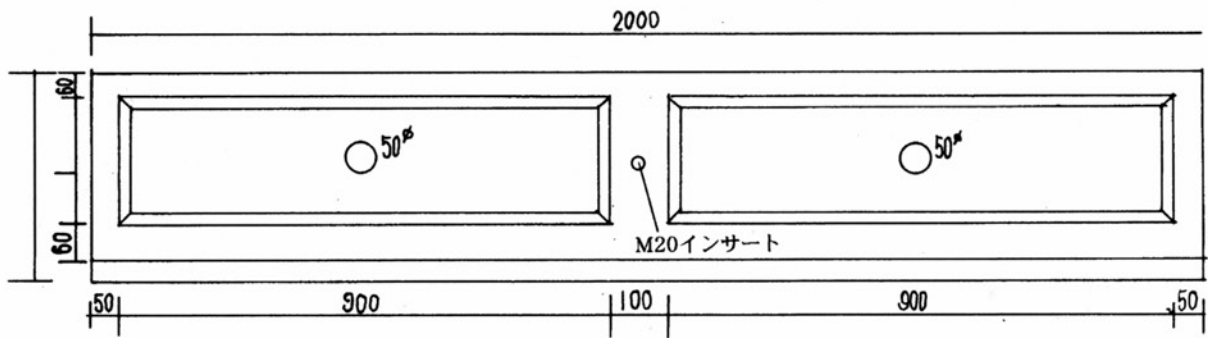
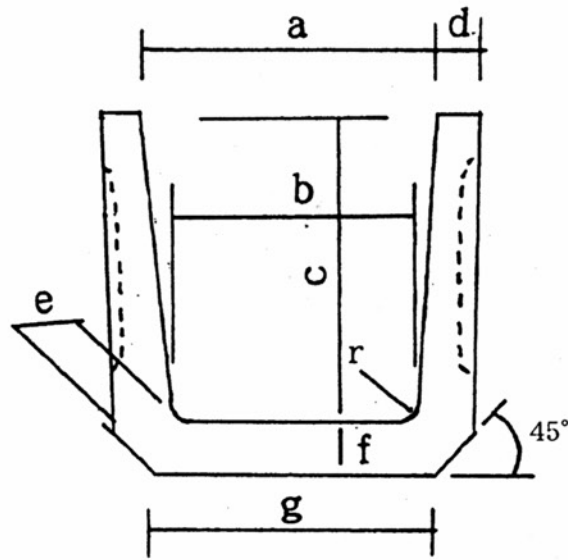


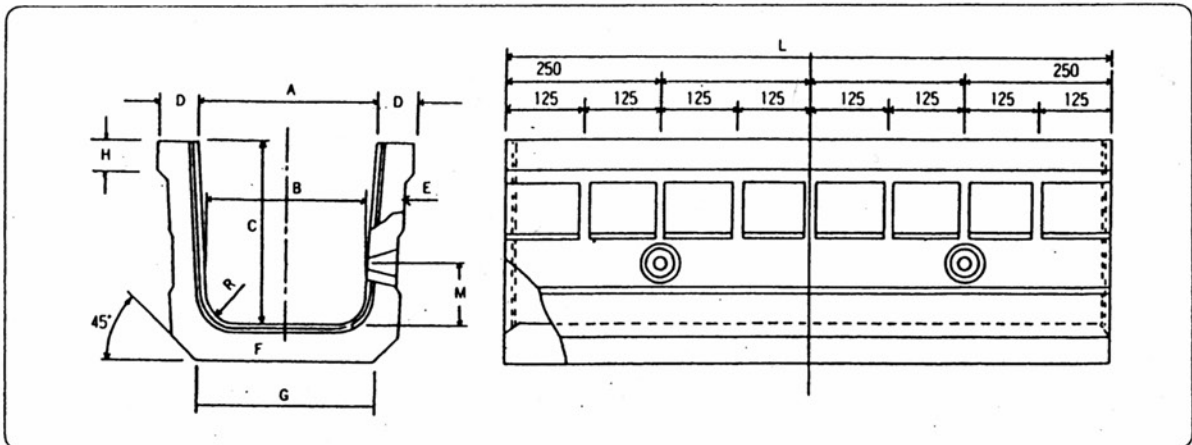
O・H・U形



| 呼び | a | b | c | d | e | f | g | h | i | r | A | B | 参考重量(kg) |
|------|-----|-----|-----|----|----|----|-----|-----|-----|----|----|----|----------|
| 300A | 300 | 260 | 240 | 50 | 60 | 60 | 300 | 300 | 160 | 50 | 9 | 9 | 225 |
| 300B | 300 | 260 | 300 | 50 | 60 | 60 | 300 | 360 | 220 | 50 | 9 | 9 | 255 |
| 360B | 360 | 310 | 360 | 50 | 65 | 65 | 360 | 425 | 285 | 50 | 9 | 9 | 325 |
| 400 | 400 | 360 | 400 | 50 | 65 | 65 | 400 | 465 | 320 | 50 | 9 | 9 | 331 |
| 450 | 450 | 400 | 450 | 55 | 70 | 70 | 430 | 450 | 365 | 70 | 16 | 16 | 405 |
| 600 | 600 | 540 | 600 | 70 | 80 | 80 | 600 | 680 | 530 | 70 | 19 | 19 | 616 |

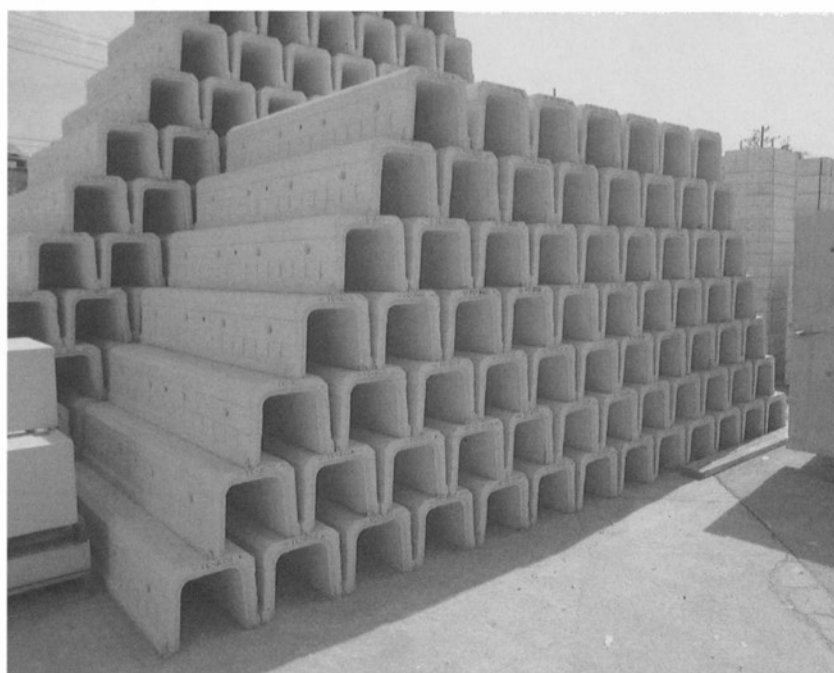
YCドレン

寸法表

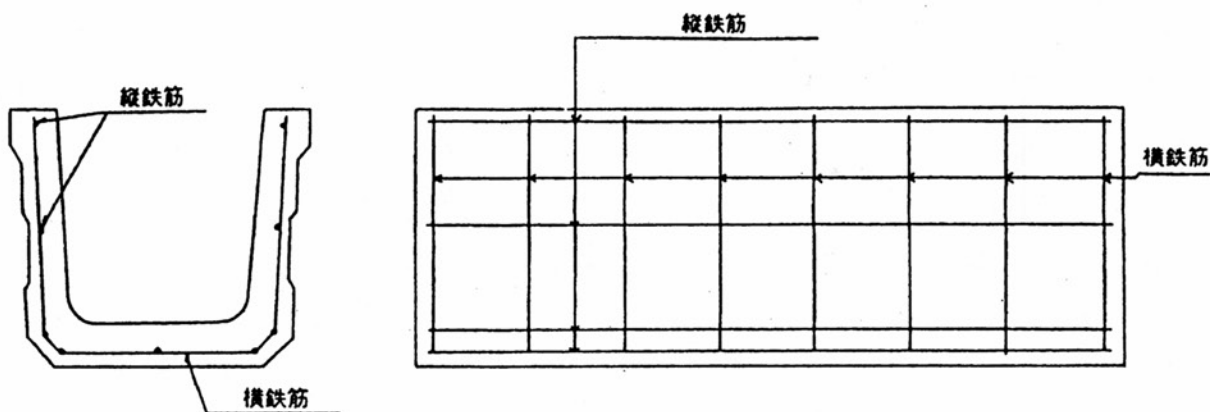


寸法表

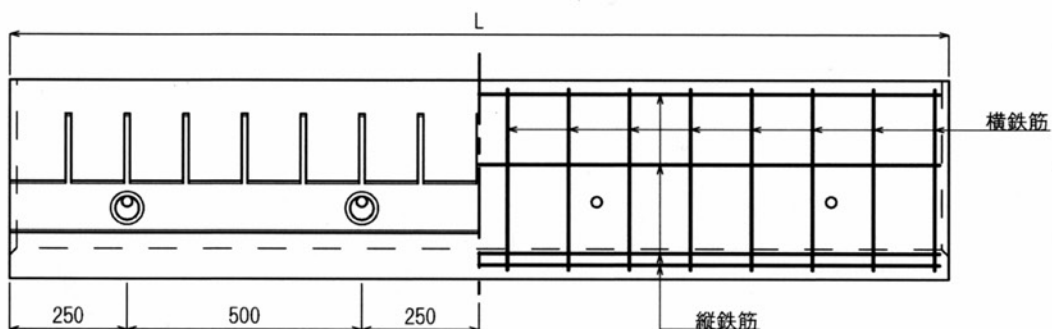
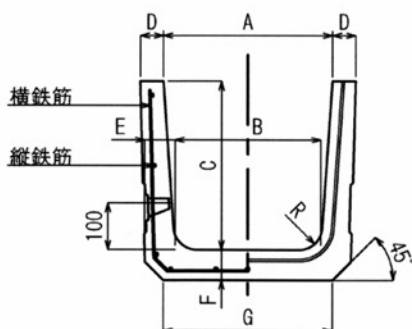
| 呼び | 寸 法 (mm) | | | | | | | | | | 参考重量 (kg) | |
|------|----------|-----|-----|----|----|----|-----|----|----|-----|-----------|----------|
| | A | B | C | D | E | F | G | H | R | M | L = 1000 | L = 2000 |
| 240 | 240 | 220 | 240 | 60 | 50 | 50 | 240 | 50 | 50 | 100 | 95 | 190 |
| 300A | 300 | 260 | 240 | 65 | 60 | 60 | 300 | 50 | 50 | 100 | 120 | 240 |
| 300B | 300 | 260 | 300 | 65 | 60 | 60 | 300 | 50 | 50 | 100 | 136 | 273 |
| 360 | 360 | 310 | 360 | 65 | 65 | 65 | 360 | 55 | 50 | 100 | 171 | 342 |
| 450 | 450 | 400 | 450 | 75 | 70 | 70 | 430 | 60 | 70 | 100 | 230 | 460 |
| 600 | 600 | 540 | 600 | 90 | 80 | 80 | 600 | 70 | 70 | 100 | 358 | 717 |



| 呼び | 縦鉄筋 | | 横鉄筋 | |
|------|--------|----|--------|----|
| | 径 (mm) | 本数 | 径 (mm) | 本数 |
| 240 | 3.2 | 7 | 3.2 | 16 |
| 300A | 3.2 | 9 | 4.0 | 16 |
| 300B | 3.2 | 9 | 4.0 | 16 |
| 360 | 4.0 | 11 | 4.0 | 26 |
| 450 | 4.0 | 13 | 5.0 | 26 |
| 600 | 4.0 | 11 | 6.0 | 20 |



☒ 新Y CドレンU形側溝



※水抜き孔はロックアウト式です。

寸法表

| 呼び名 | 寸法 (mm) | | | | | | | | | 参考重量 (kg) | |
|------|---------|-----|-----|----|----|-----|-----|----|--------------------|-----------|--------|
| | A | B | C | D | E | F | G | R | L | L=1000 | L=2000 |
| 240 | 240 | 220 | 240 | 45 | 50 | 50 | 240 | 50 | 2000 又は 1000 | 89 | 178 |
| 300A | 300 | 260 | 240 | 50 | 60 | 60 | 300 | | | 115 | 230 |
| 300B | | | 300 | | 65 | 65 | 360 | | | 129 | 258 |
| 360B | 360 | 310 | 360 | 65 | 65 | 360 | 163 | | | 326 | |
| 450 | 450 | 400 | 450 | 55 | 70 | 70 | 430 | 70 | | 221 | 443 |
| 600 | 600 | 540 | 600 | 70 | 80 | 80 | 600 | | | 346 | 693 |
| 許容差 | ±2 | ±3 | ±2 | | ±3 | | — | ±6 | | | |

鉄筋表

| 呼び名 | 縦鉄筋 | | 横鉄筋 | | |
|------|--------|-----|--------|-------------|-------------|
| | 径 | 本数 | 径 | 本数 (L=1000) | 本数 (L=2000) |
| 240 | 3.2 mm | 7本 | 3.2 mm | 8本 | 16本 |
| 300A | | 9本 | 4.0 mm | | |
| 300B | | | | | |
| 360 | 4.0 mm | 11本 | 5.0 mm | 13本 | 26本 |
| 450 | | 13本 | | | |
| 600 | | 15本 | | | |

キョウリツ

YCドレン

流速および流量表

マンシング方式によるYCドレンの流速および流量

$$V = \frac{1}{n} \cdot R^{\frac{2}{3}} \cdot I^{\frac{1}{2}}$$

A : 通水断面積 (m²)

$$Q = A \cdot V$$

P : 潤辺 (m)

V : 流速 (m/sec)

Q : 流量 (m³/sec)

I : 勾配 (0/00)

n : 粗度係数 (0.014)

R : 径深 (m) = A/P

◎水深80%時 流速および流量表

| 呼び | YC 240 | | YC 300A | | YC 300B | |
|---------------------|-----------|-------------------------|-----------|-------------------------|-----------|-------------------------|
| A (m ²) | 0.0428 | | 0.0521 | | 0.0653 | |
| P (m) | 0.5654 | | 0.6101 | | 0.7044 | |
| R (m) | 0.0757 | | 0.0854 | | 0.0927 | |
| I (0/00) | V (m/sec) | Q (m ³ /sec) | V (m/sec) | Q (m ³ /sec) | V (m/sec) | Q (m ³ /sec) |
| 100 | 4.0420 | 0.1730 | 4.3802 | 0.2282 | 4.6267 | 0.3021 |
| 75 | 3.5005 | 0.1498 | 3.7934 | 0.1976 | 4.0088 | 0.2618 |
| 50 | 2.8581 | 0.1223 | 3.0973 | 0.1614 | 3.2715 | 0.2136 |
| 40 | 2.5564 | 0.1094 | 2.7703 | 0.1443 | 2.9262 | 0.1911 |
| 35 | 2.3913 | 0.1023 | 2.5914 | 0.1350 | 2.7372 | 0.1787 |
| 30 | 2.2139 | 0.0948 | 2.3992 | 0.1250 | 2.5341 | 0.1655 |
| 25 | 2.0210 | 0.0865 | 2.1901 | 0.1141 | 2.3133 | 0.1511 |
| 20 | 1.8706 | 0.0774 | 1.9589 | 0.1021 | 2.0691 | 0.1351 |
| 18 | 1.7145 | 0.0734 | 1.8584 | 0.0968 | 1.9629 | 0.1282 |
| 16 | 1.6168 | 0.0692 | 1.7521 | 0.0913 | 1.8507 | 0.1208 |
| 14 | 1.5124 | 0.0647 | 1.6389 | 0.0854 | 1.7311 | 0.1130 |
| 12 | 1.4002 | 0.0599 | 1.5174 | 0.0791 | 1.6027 | 0.1047 |
| 10 | 1.2782 | 0.0547 | 1.3852 | 0.0722 | 1.4631 | 0.0955 |
| 9 | 1.2126 | 0.0519 | 1.3141 | 0.0685 | 1.3880 | 0.0906 |
| 8 | 1.1431 | 0.0489 | 1.2389 | 0.0645 | 1.3086 | 0.0855 |
| 7 | 1.0694 | 0.0458 | 1.1589 | 0.0604 | 1.2241 | 0.0799 |
| 6 | 0.9901 | 0.0424 | 1.0729 | 0.0559 | 1.1333 | 0.0740 |
| 5.5 | 0.9479 | 0.0406 | 1.0273 | 0.0535 | 1.0850 | 0.0709 |
| 5.0 | 0.9038 | 0.0387 | 0.9794 | 0.0510 | 1.0346 | 0.0676 |
| 4.8 | 0.8856 | 0.0379 | 0.9597 | 0.0500 | 1.0137 | 0.0662 |
| 4.6 | 0.8669 | 0.0371 | 0.9395 | 0.0489 | 0.9923 | 0.0648 |
| 4.5 | 0.8574 | 0.0367 | 0.9292 | 0.0484 | 0.9815 | 0.0641 |
| 4.4 | 0.8479 | 0.0363 | 0.9188 | 0.0479 | 0.9705 | 0.0634 |
| 4.2 | 0.8284 | 0.0355 | 0.8977 | 0.0468 | 0.9482 | 0.0619 |
| 4.0 | 0.8084 | 0.0346 | 0.8760 | 0.0456 | 0.9253 | 0.0604 |
| 3.8 | 0.7879 | 0.0337 | 0.8539 | 0.0445 | 0.9019 | 0.0589 |
| 3.5 | 0.7562 | 0.0324 | 0.8195 | 0.0427 | 0.8656 | 0.0565 |
| 3.4 | 0.7453 | 0.0319 | 0.8077 | 0.0421 | 0.8531 | 0.0557 |
| 3.0 | 0.7001 | 0.0300 | 0.7587 | 0.0395 | 0.8014 | 0.0523 |
| 2.8 | 0.6764 | 0.0289 | 0.7330 | 0.0382 | 0.7742 | 0.0506 |
| 2.6 | 0.6518 | 0.0279 | 0.7063 | 0.0368 | 0.7460 | 0.0487 |
| 2.5 | 0.6391 | 0.0274 | 0.6926 | 0.0361 | 0.7315 | 0.0478 |
| 2.4 | 0.6262 | 0.0268 | 0.6786 | 0.0354 | 0.7168 | 0.0468 |
| 2.2 | 0.5995 | 0.0257 | 0.6497 | 0.0338 | 0.6862 | 0.0448 |
| 2.0 | 0.5716 | 0.0245 | 0.6195 | 0.0323 | 0.6543 | 0.0427 |